

ENKELROOF 355 EEC (ENKREC355)

GENERAL DATA

ROOF FAN WITH ABS COWL AND ELECTRONIC MOTOR



MANUFACTURING FEATURES:

- ABS protection cowl easily removable for access to motor and impeller (integrated folding system in models 500, 560 and 630). The ABS cowl is characterized by its toughness, resistance to impacts and is able to withstand extreme ambient temperatures. 100% of the ABS used in the this cowl is recycled.
- The design of the cowl with a rounded shape is specific to minimize the risk of water ingress due to rain.
- Structure in anticorrosive galvanized steel and support frame for adaptation to the roof with anti-bird protection grid.
- High-efficiency backward-curved blade impeller with self-cleaning system. Self-cleaning system. Reinforced polyamide impeller for models 155, 190 and 220. The rest of the models in aluminum.
- EC technology uses integral electronic control to ensure that the motor always runs at optimal load and ensures efficient energy utilization. It incorporates an external rotor EC motor with high efficiency (IE4 for three phase motors and IE5 for single motors) and low noise level. Speed control through a 0-10V or PWM signal. 230V 50/60Hz single-phase power supply for models 155 to 310 and 400V 50/60Hz three-phase power supply for sizes from 355 to 630. IP54 and motor class B insulation.

APPLICATIONS

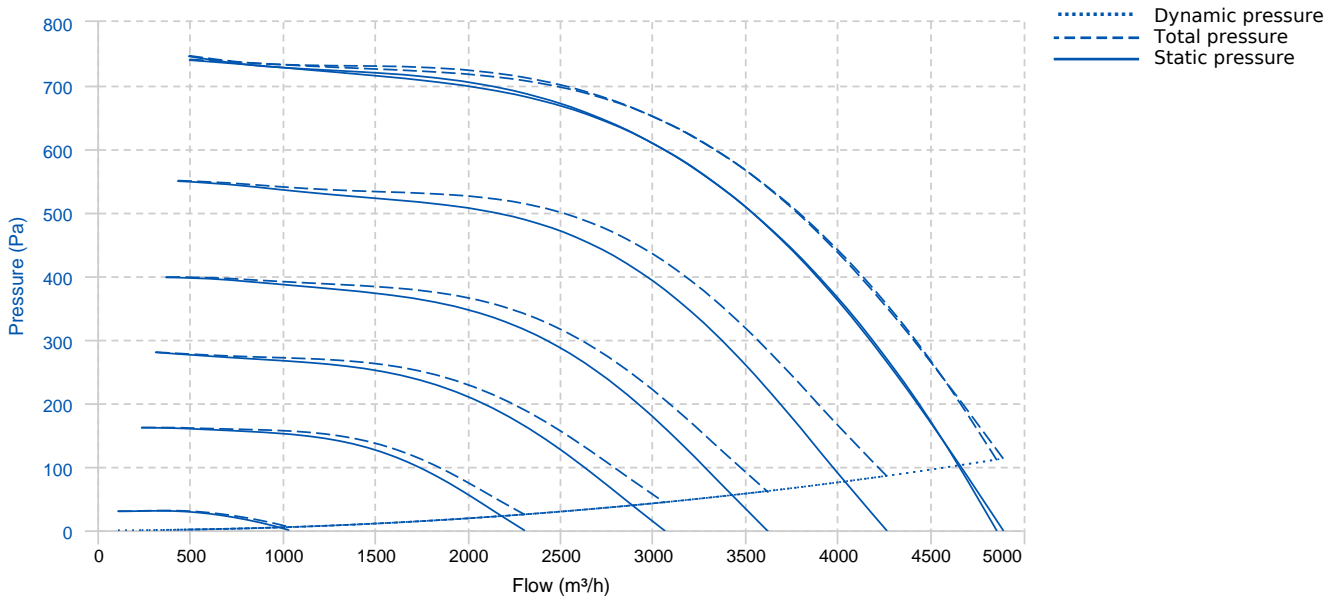
Designed for deck or roof mounting, they are indicated for:

- Smoke extraction.
- Air renewal in all types of buildings and industries.
- Working temperature range from -20°C to 60°C for models size 155-310, -25°C to 60°C for 355-450 sizes, -30°C to 50°C for size 500 and -30°C to 40°C for 560 and 630 models.

UNDER REQUEST

- Fan (size between 250 and 450) with k-factor reading.

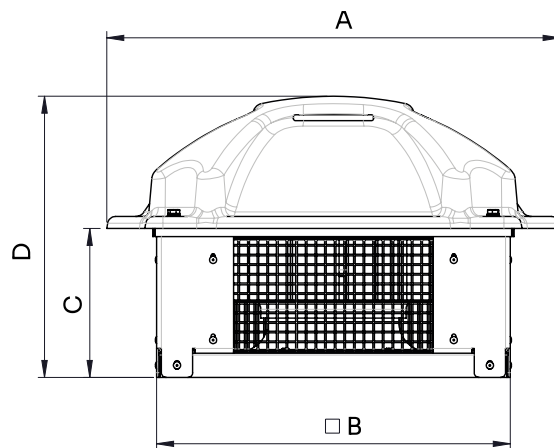
PERFORMANCE CURVE



TECHNICAL DATA


Fan							
RPM	2100	Approx. weight	17.5 kg	Max. Flow	4890 m³/h		
Motor							
Power	0,99 kW	RPM	2100	I max. (400V)	1,63 A	Approx. weight	10.5 kg


DIMENSIONS



Dimensions (mm)							
A	765	B (int)	593	C	280.5	D	645.5

WIRING DIAGRAM

Nº	Signal Señal	Colour Color	Specification Especificación
1	L1	Black Negro	AC380V-50/60Hz
2	L2	Black Negro	AC380V-50/60Hz
3	L3	Black Negro	AC380V-50/60Hz
4	Pe	Yellow-Green Amarillo-Verde	

Nº	Signal Señal	Colour Color	Specification Especificación
1	Vcc	Red Rojo	DC10V
2	Vsp	Yellow Amarillo	0-10VDC/PWM
3	GND	Blue Azul	
4	FG	White Blanco	12 Pulse/R

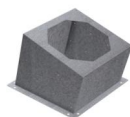
ACCESSORIES



SAFETY SWITCH
INT 25 3P A
REF: INT253PA



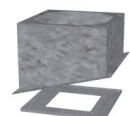
CIRCULAR-CIRCULAR ANTI-VIBRATION FLANGE
BAD 10 (Ø350)
REF: 960003460



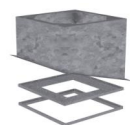
INCLINED ROOF FAN SUPPORT
BTI 570
REF: A-50870570XX



ENKELROOF VERTICAL DISCHARGE
KV ENKELROOF 355
REF: KVENKR355



BTI + ACMP MOUNTED
BTI+ACMP 570
REF: BTIACMP570XX



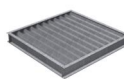
BTI + ACMP+AMC MOUNTED
BTI+ACMP+AMC 570
REF: BTIACMPAMC570XX



CONNECTION FLANGE
AC 350
REF: 960003211



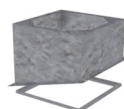
SPEED CONTROLLER WITH SAFETY SWITCH FOR
EEC MOTOR
PMR 25A
REF: PMREEC



DEPRESSION DAMPER (HORIZONTAL or
VERTICAL PLACEMENT)
CMP-HUT 300x310
REF: CMPHUT3031

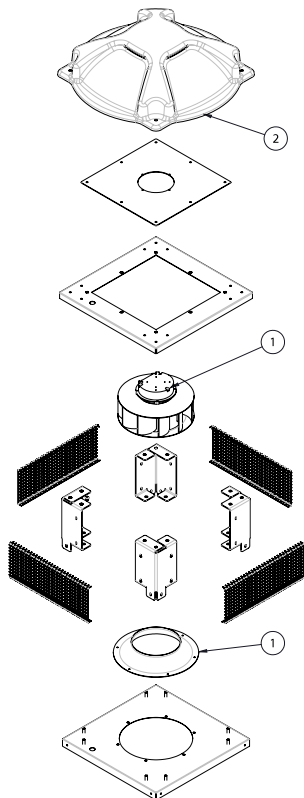


CIRCULAR SOUND ATTENUATOR IN GALVANISED
STEEL
SILC-MINI 355 C
REF: SILCM355C



BTI + AMC MOUNTED
BTI+AMC 570
REF: BTIAMC570XX

SPARE PARTS



	Code	Model	Qty
1	R-241363017	MOTOR-FAN+INLET CONE Ø355 400V 50/60Hz	x1
2	R-279314478	ROOF COWL ENKELROOF 310-355-450 KENTALROOF 315	x1